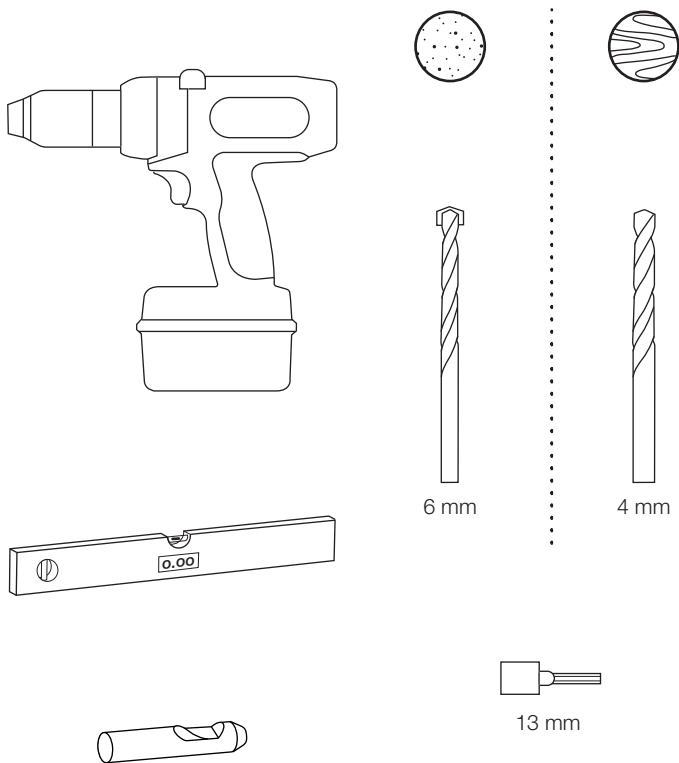
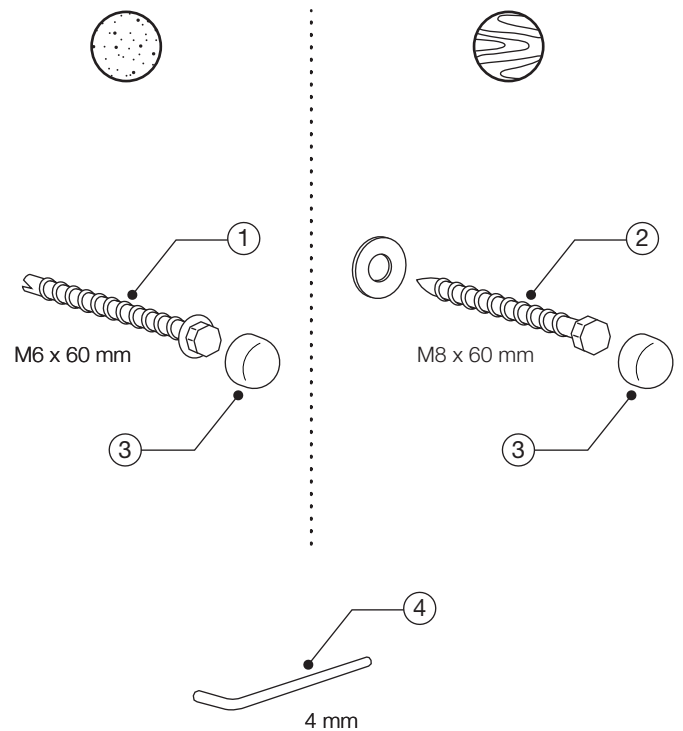
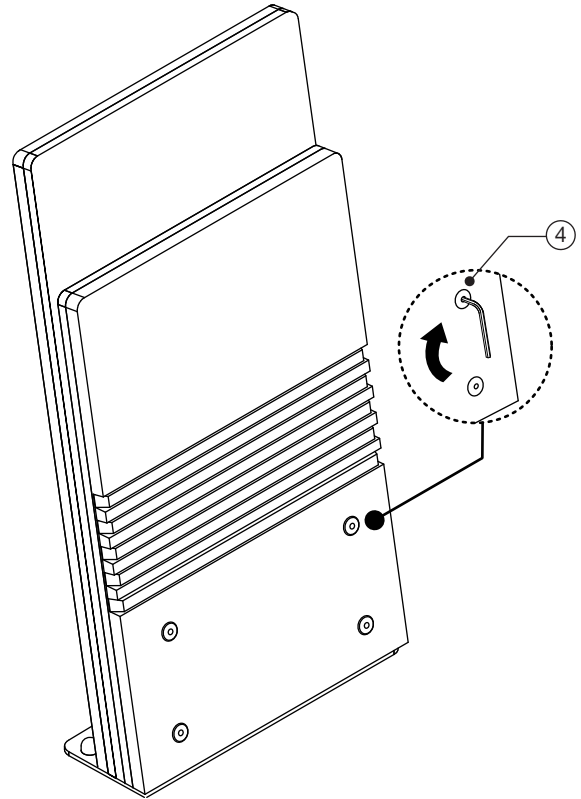
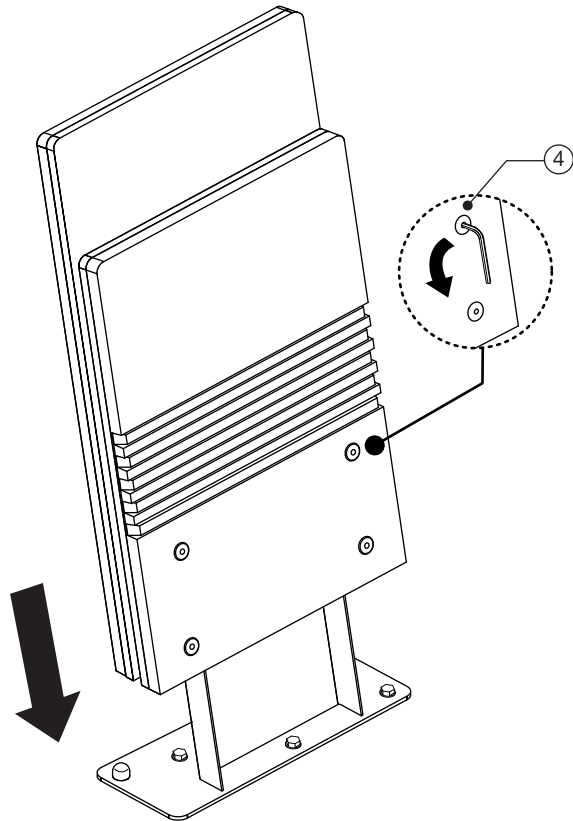
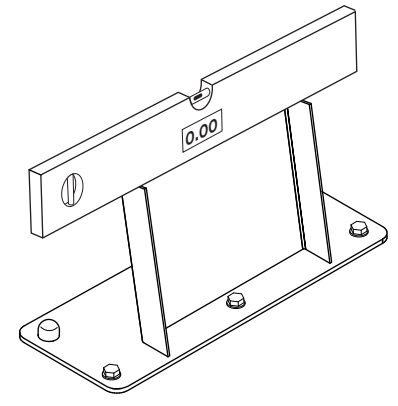
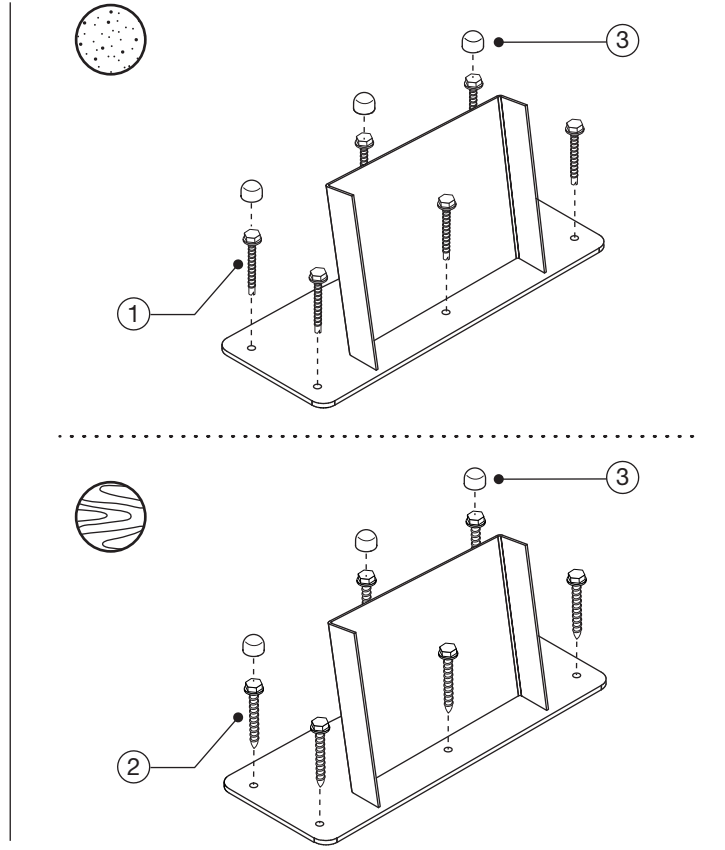
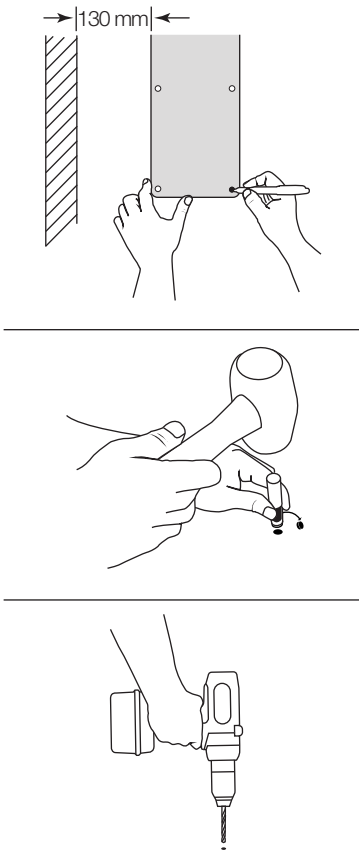


Required / Nécessaire / Erforderlich / Necesario / Necessario



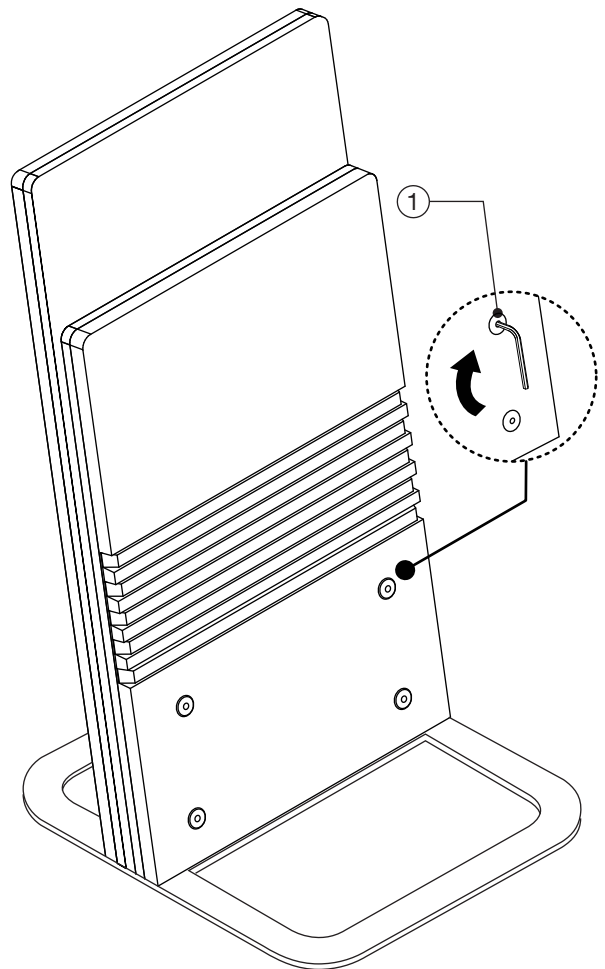
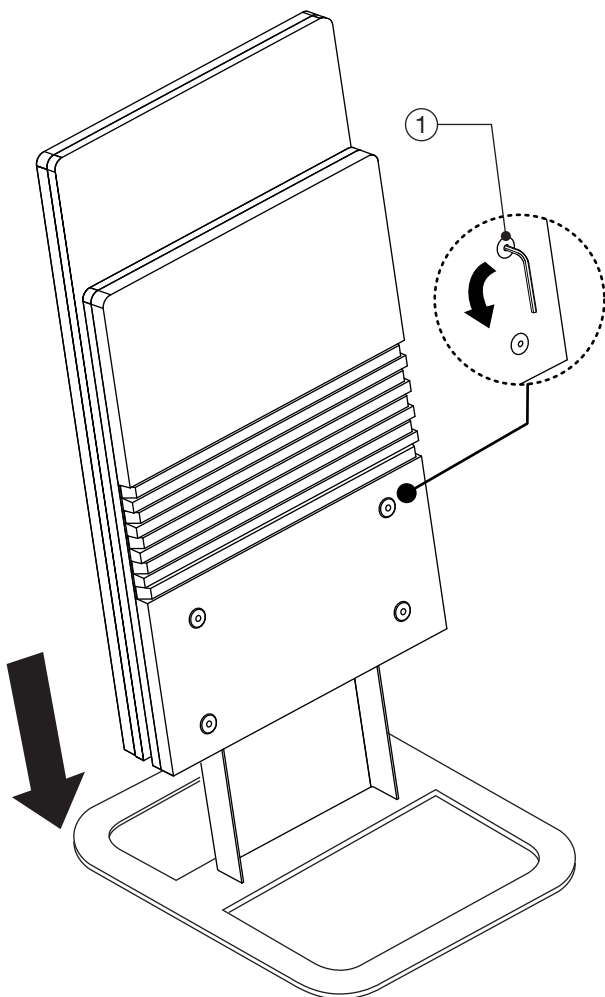
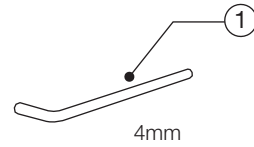
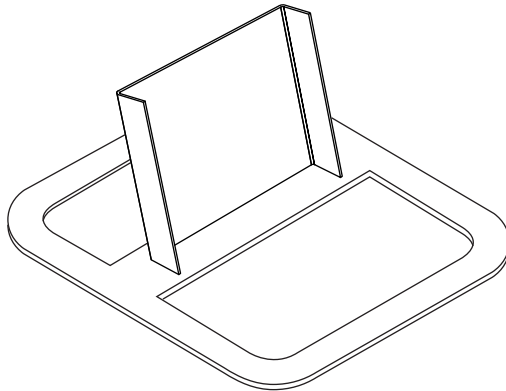
Included / Inclus / Inbegriffen / Incluido / Incluso

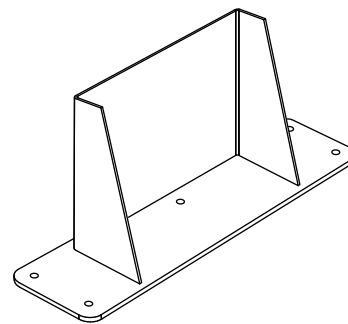
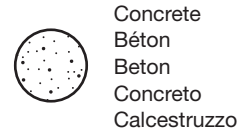
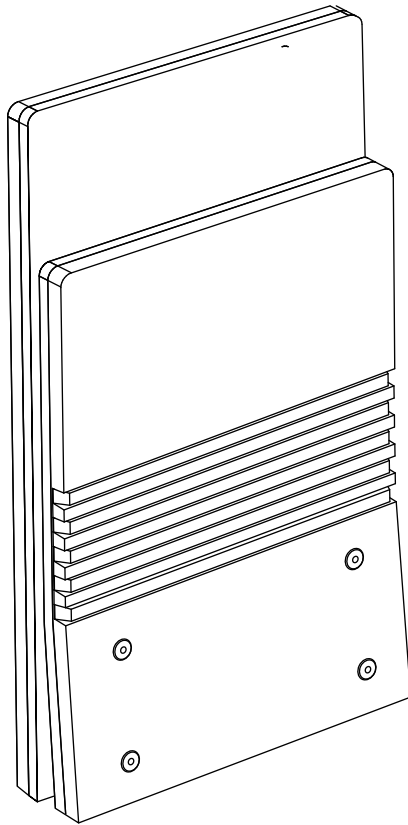




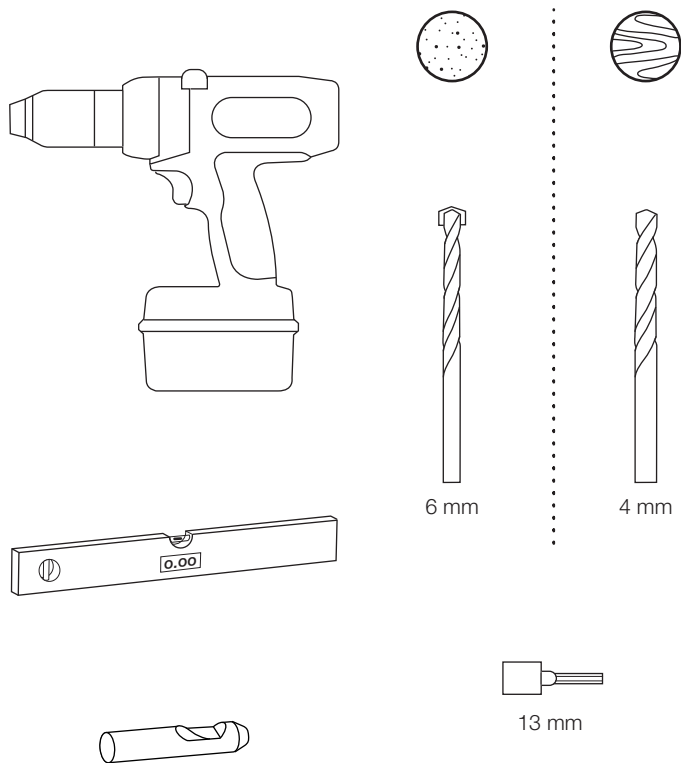
JumpSeat® is a trademark of Aria Enterprises, Inc. used under license by Sedia Systems, Inc.
 Patents: www.sediasystems.eu/patents

+353 1 902 6513 www.sediasystems.eu

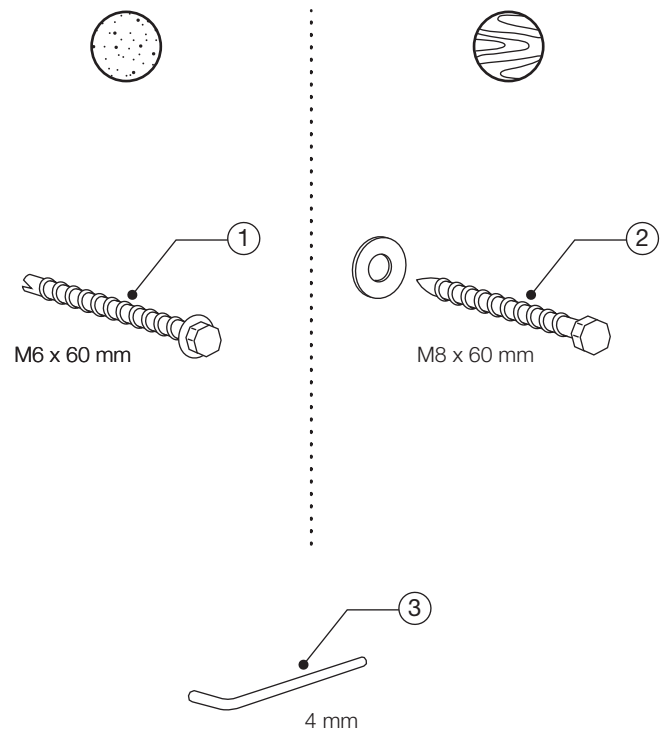


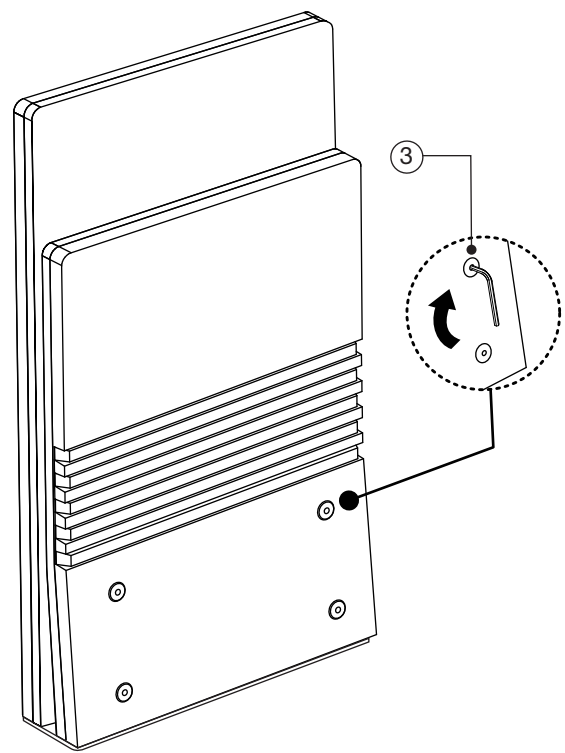
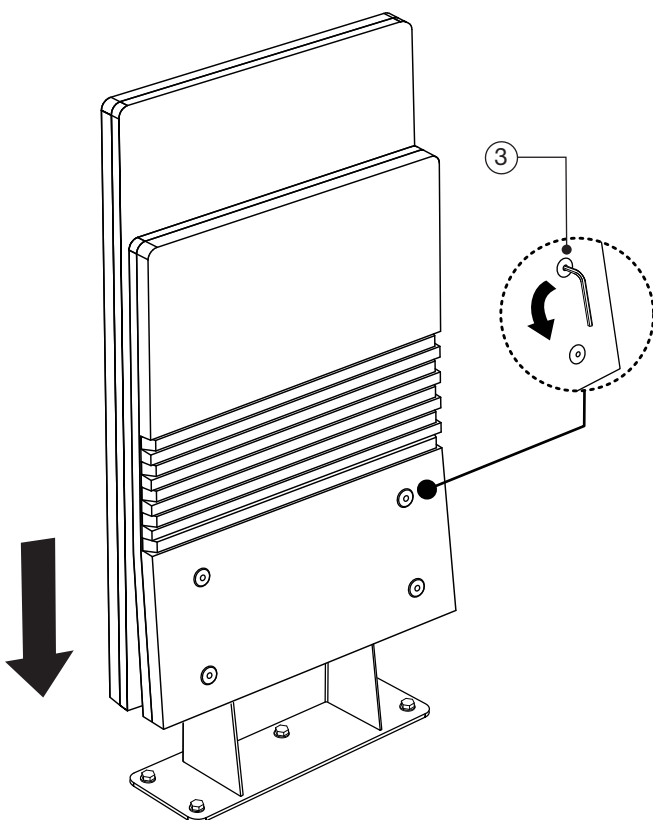
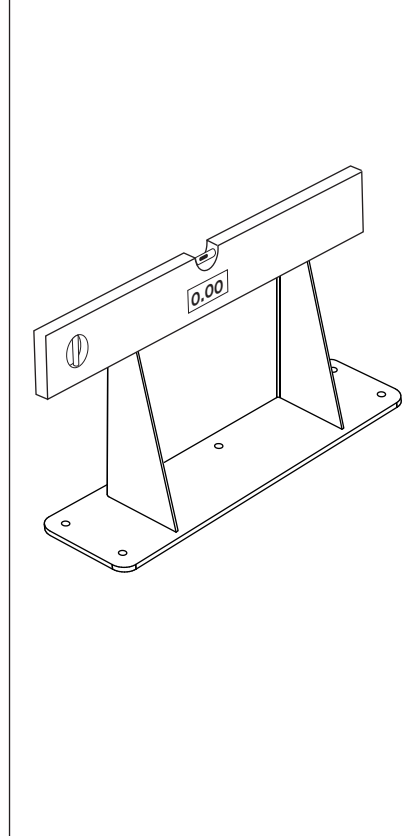
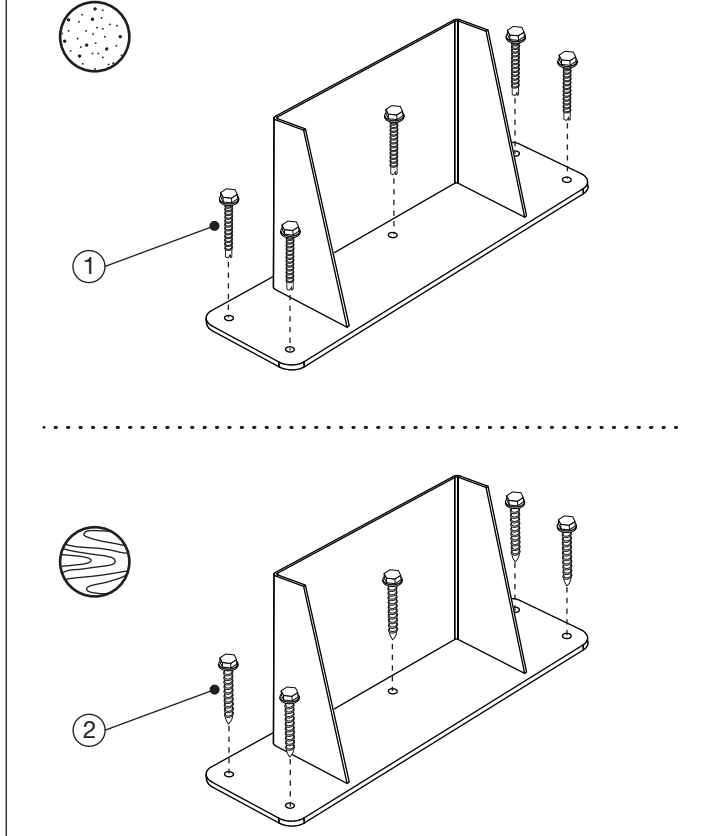
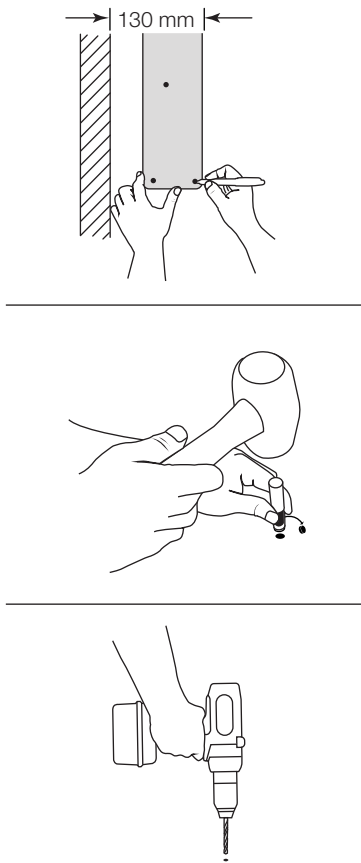


Required / Nécessaire / Erforderlich / Necesario / Necessario



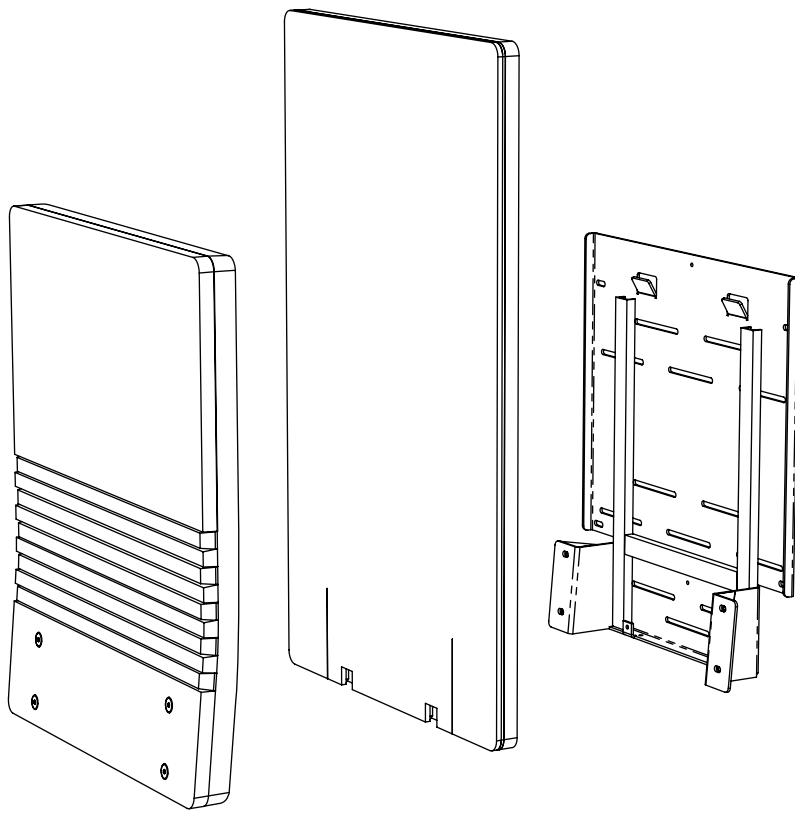
Included / Inclus / Inbegriffen / Incluido / Incluso




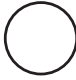



JumpSeat® is a trademark of Aria Enterprises, Inc. used under license by Sedia Systems, Inc.
 Patents: www.sediasystems.eu/patents


+353 1 902 6513 www.sediasystems.eu



- 

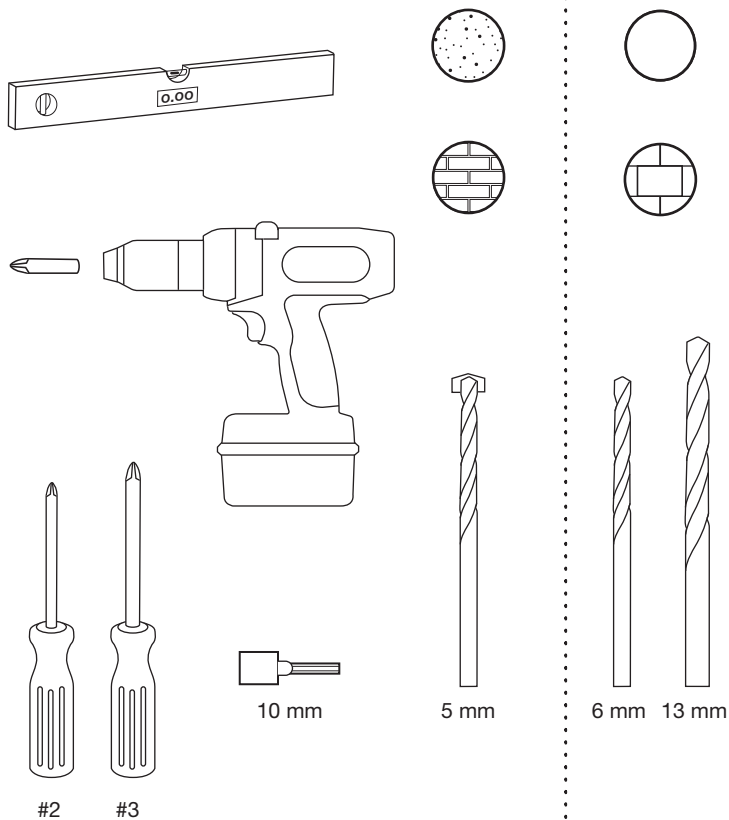
Concrete wall
Mur en béton
Betonmauer
Pared de concreto
Calcestruzzo
- 

Plywood reinforced dry wall
Cloison sèche renforcée de contreplaqué
Trockenbauwand mit sperrholzplatte verstärkt
Contrachapado reforzado de pared seca
Muro a secco rinforzato in compensato
- 

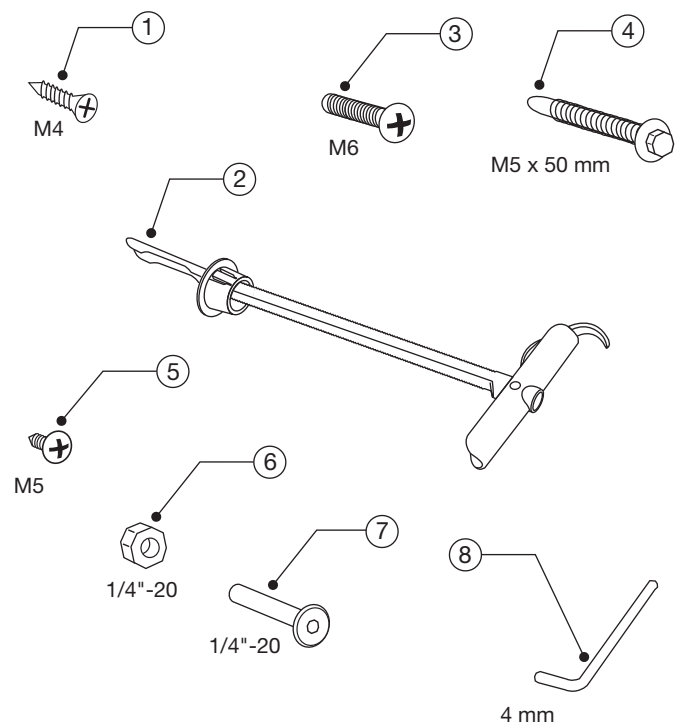
Brick wall
Mur de briques
Ziegelwand
Pared de ladrillo
Muro di mattoni
- 

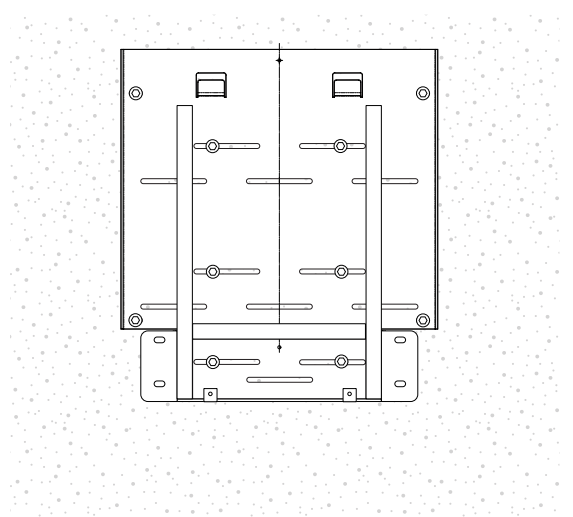
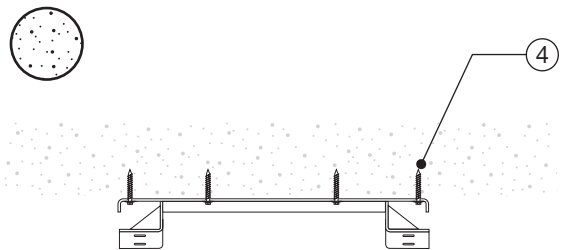
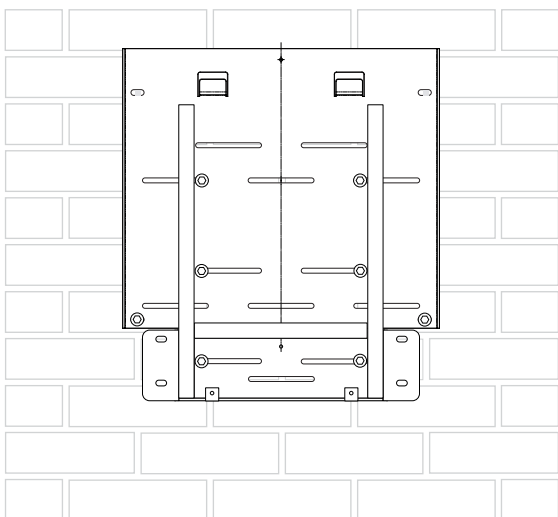
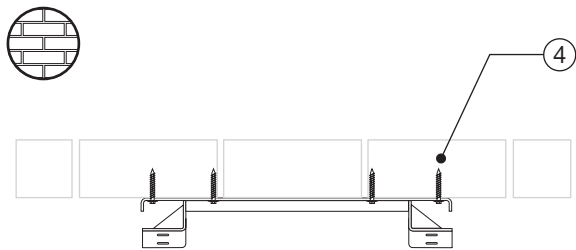
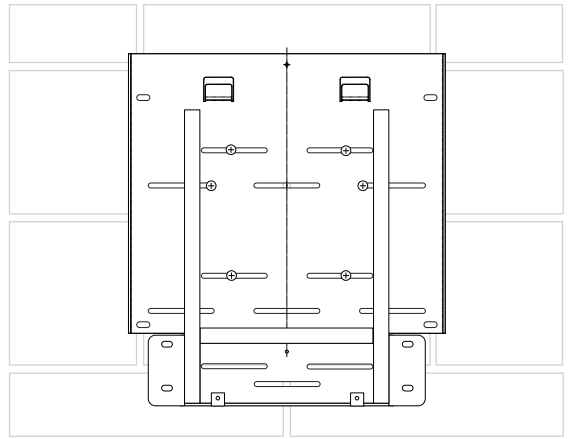
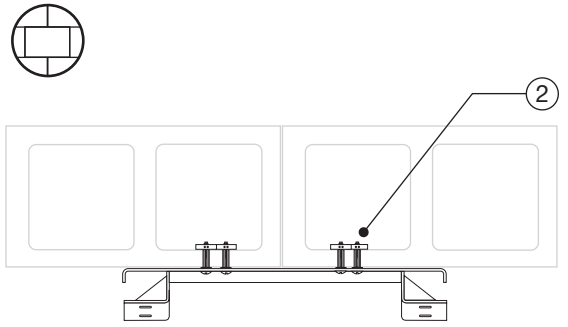
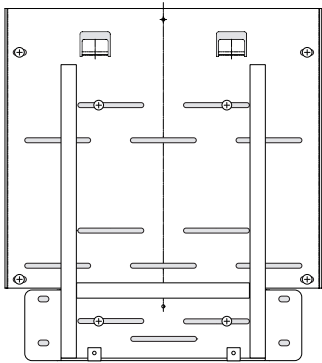
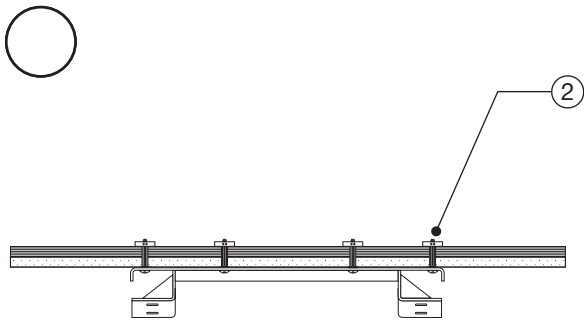
Block wall
Mur de parpaings
Blockwand
Pared de bloques
Muro di blocchi di cemento

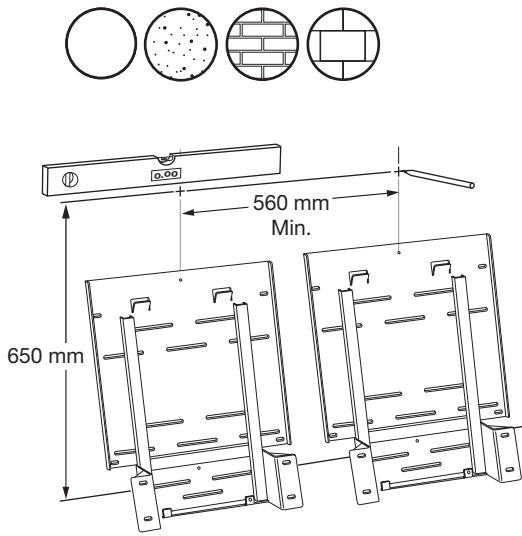
Required / Nécessaire / Erforderlich / Necesario / Necessario



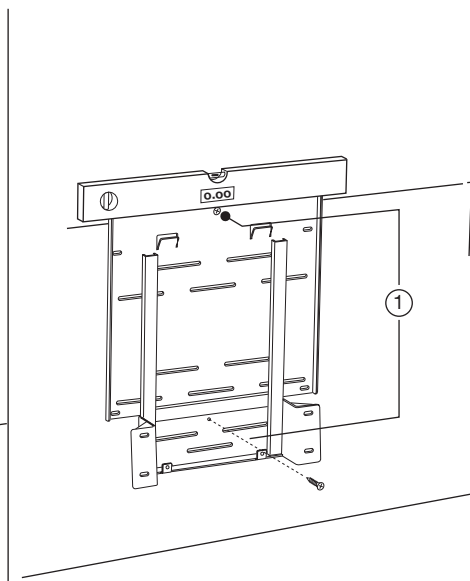
Included / Inclus / Inbegriffen / Incluido / Incluso



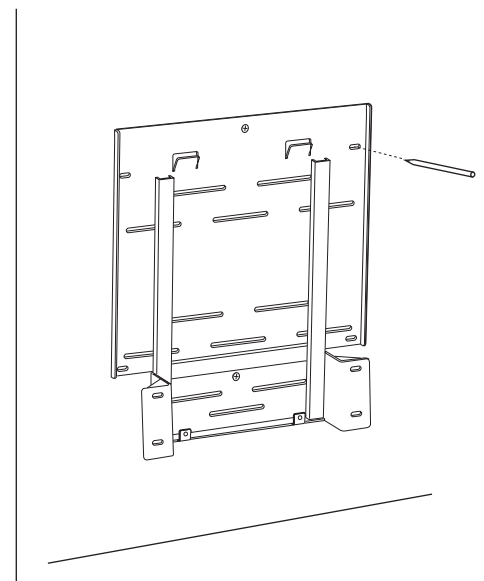




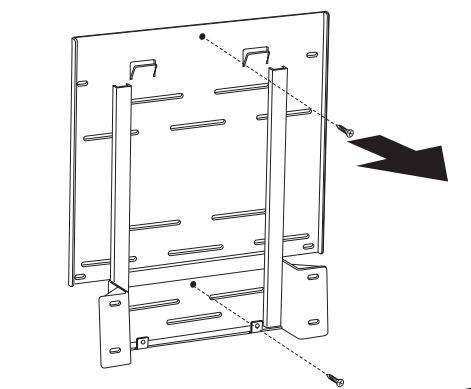
1



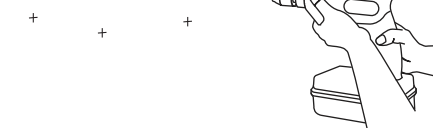
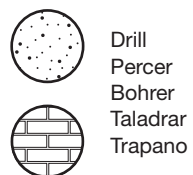
2



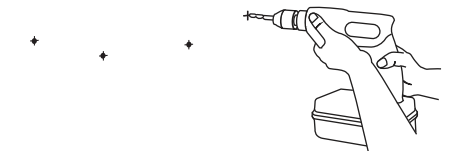
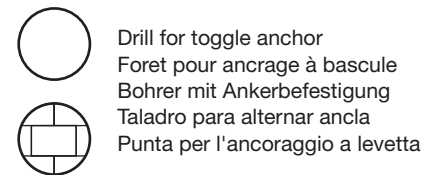
3



4



5a



5b

